

Jeep JL Kicker Sound Bar Upgrade Kit

Model # JL-KWR 5.25



This product can expose you to chemicals including vinyl chloride and lead, which is known to the state of California to cause cancer and birth defects or other reproductive harm. For more information go to www.P65Warnings.ca.gov

WARNING

Parts Included

- 2 Kicker 5.25" Co-ax Speakers with Factory Plugs
- 2 Custom JL Speaker Adapters
- 4 Speaker Adapter Gaskets (2 small, 2 large)
- 2 Custom Tuned Speaker Ports
- 1 Bag Hardware
- 2 Custom Speaker Grill Surround Gaskets
- 4 - 6" Tie Straps

Installation Instructions

****NO CUTTING REQUIRED****

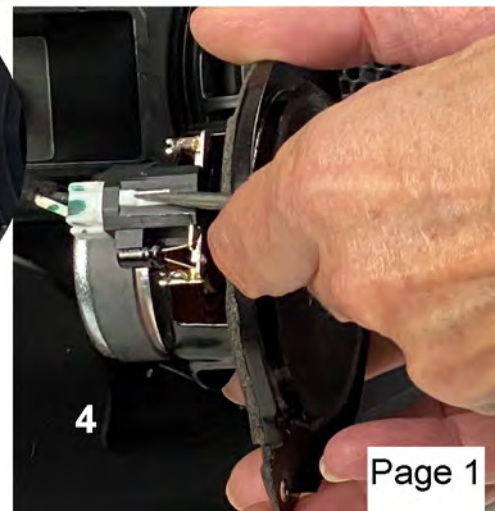
Instructions pictures were taken with the Sound Bar Removed from the Jeep. This was for photography purposes only. The Sound Bar DOES NOT need to be removed for Installation.

Factory Speaker Removal & Prep

Instructions are shown for Driver Side Speaker

Repeat same procedure for Passenger Side

1. Using a T30 torx bit, remove Factory Speaker Grills (4 screws). Make sure to save the screws for the future, they will not be used for this installation. See picture #1
2. Remove the Foam Pad and set aside. It will not be reinstalled for this application. See picture #2
3. Using a T15 torx bit, remove the 2 screws that secure the Small Factory Speaker (Tweeter). Re-install the Tweeter screws for safe keeping, they will not be used for this installation. See picture #3
4. Pull Tweeter down so that you can see the Plug. Using a small screwdriver push the Locking Tab down and away from you to release the Plug as shown in picture #4.
5. Use a Tie Strap to secure the Tweeter Speaker Plug. This will ensure that it won't move and rattle after installation is complete as shown in picture #5.



CFE Products

1485 Wilmington Pike
West Chester, PA 19382

Any Questions or Comments, call Bob 610-358-1886

6. Using a T15 bit, remove the 3 screws that secure the Large Speaker (woofer). Set the 3 screws aside, they will be reused. See picture #6



7. Use a small screwdriver to press Locking Tab down and away to release Plug as shown in pic #7

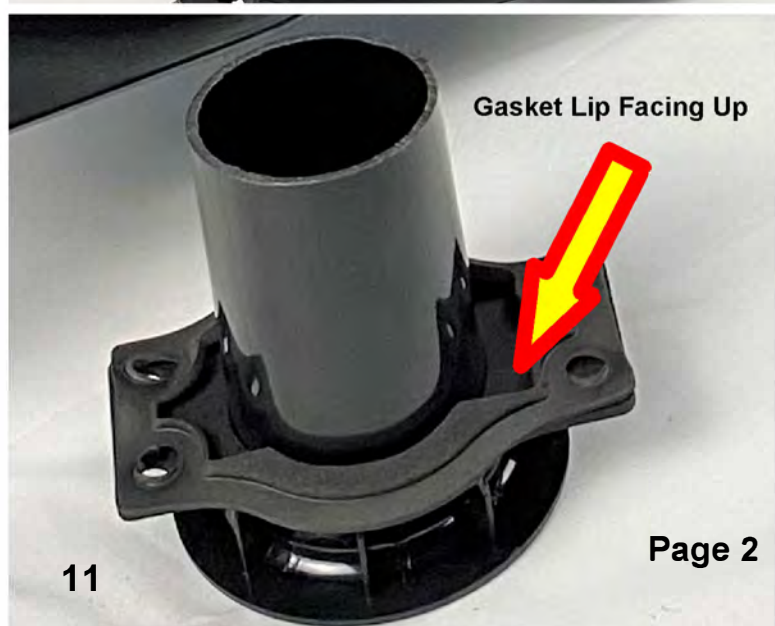


8. Using a T30 torx, remove the 4 screws securing the Speaker Port. These screws will be reused. See picture #8

9. Rotate Port as you pull it out, it has a 90 degree bend as shown in picture #9.

10. Carefully remove the Factory Rubber Gasket from the back of the Port, this will be reused. (In some instances the Gasket may stay attached to the Sound Bar during Port removal. That is fine and installation can continue without removing the Gasket from the Sound Bar) See picture 10

11. Install the Factory Gasket on the New Speaker Port included in the Kit. The Tabs on the New Speaker Port have a long tab and a short tab. Rotate and align the Tabs to reinstall the Port screws. Make sure that the side of the Gasket with the impression faces out as shown by Yellow Arrow in picture #11. This will seat in the Sound Bar opening when reinstalled.



12. If the Gasket stays attached to the Sound Bar when you removed the Port, Install the 4 screws through the Port and Gasket holes as shown in picture #12. This will hold the Gasket in place. Install New Port. Make sure that the Port Screws are tight to prevent air leaks around the Gasket as shown in picture # 13.

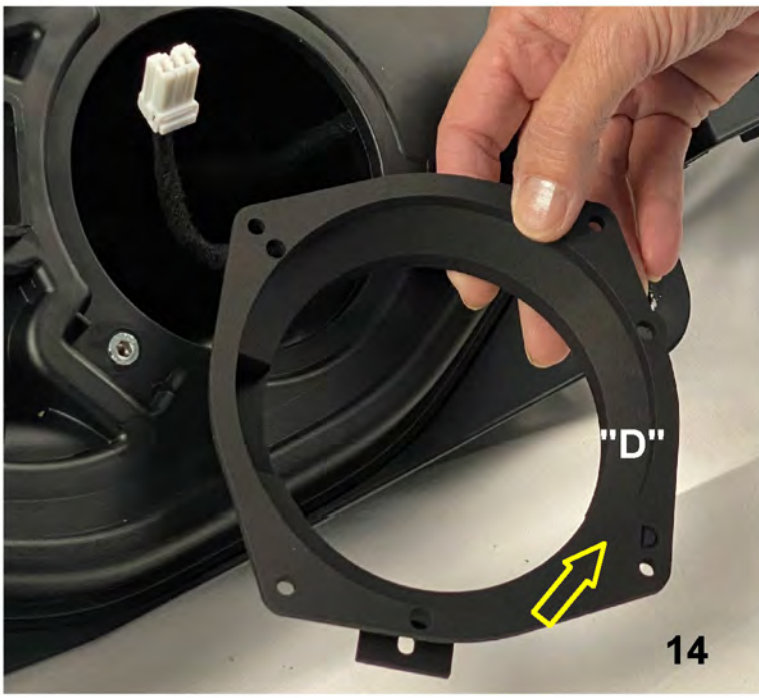


Attach the Adapters to the Sound Bar

13. Locate the 2 Speaker Adapters included in the Kit. Identify the Driver Side and Passenger Side. They are stamped with a "P" for Passenger Side & "D" for Drivers Side. Picture #14 shows the Driver Side.



14. Align the smaller 3 Tab Gasket on the back of the Speaker Adapter and Install the Original Screws through the Speaker Adapters/Gasket holes as shown in pictures #15 & #16. This will secure the screws in place while installing the Adapter to the Sound Bar.



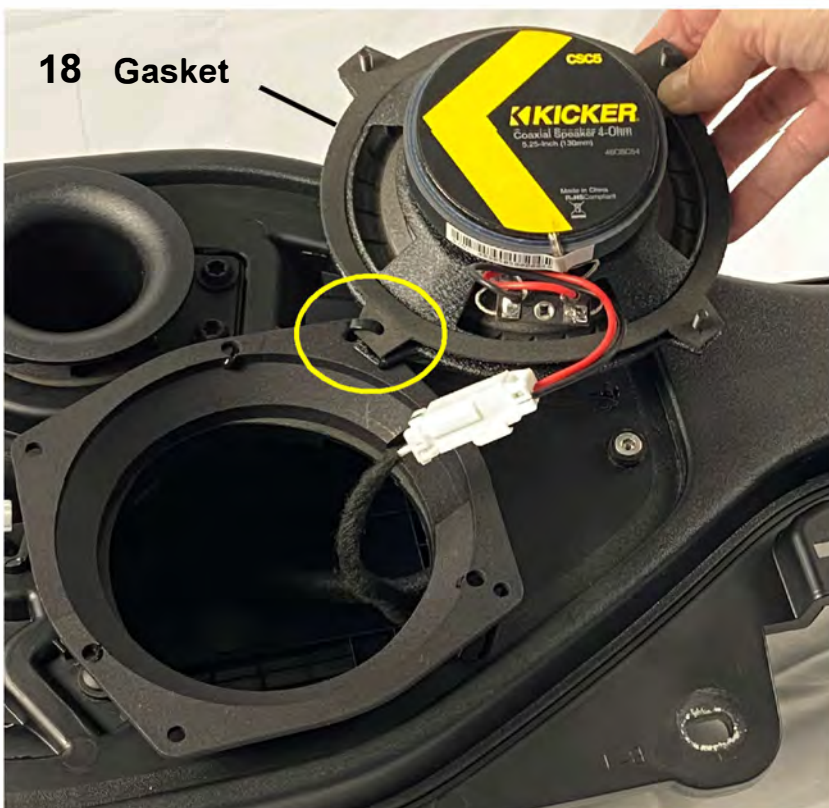
15. Using the Allen Torx Wrench included in the Kit, install the Speaker Adapter to the Sound Bar. The location of the Terminal Bump Out will be to the right on the Driver Side as shown by the yellow arrow in picture # 17. (Passenger Side Bump Out will be to the left as shown in picture # 19) Turn each screw several turns to get them started, then tighten evenly. Pay attention to the Gasket while tightening screws. Make sure it doesn't shift into the speaker opening during installation.

Prepare New Speakers for Installation

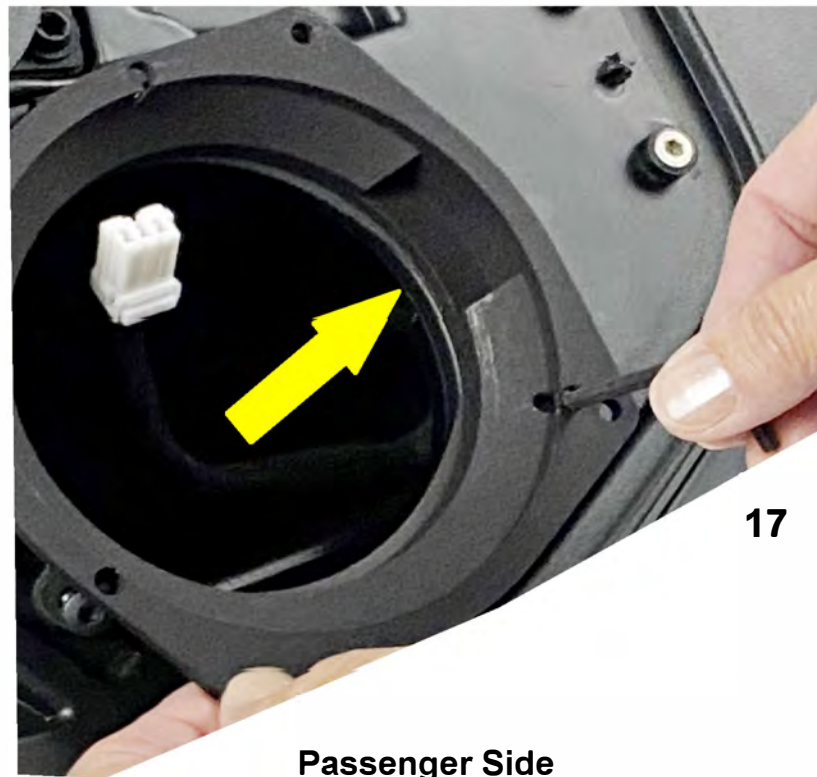
Using the Tie Strap method below is only suggested if you are installing by yourself. It would be easiest if you had someone hold the speaker up while you install the screws and flange nuts.

Drivers Side

Lay the Larger 4 Tab Gasket on the rear of the New Kicker Speaker. Push 3 of the 4 #8 screws (supplied in the kit) through the Speaker/Gasket holes shown in picture #18 to secure screws in place. Loosely Secure Speaker to Sound Bar using a Tie Strap in the open hole in the position shown. Plug Speaker into Sound Bar.



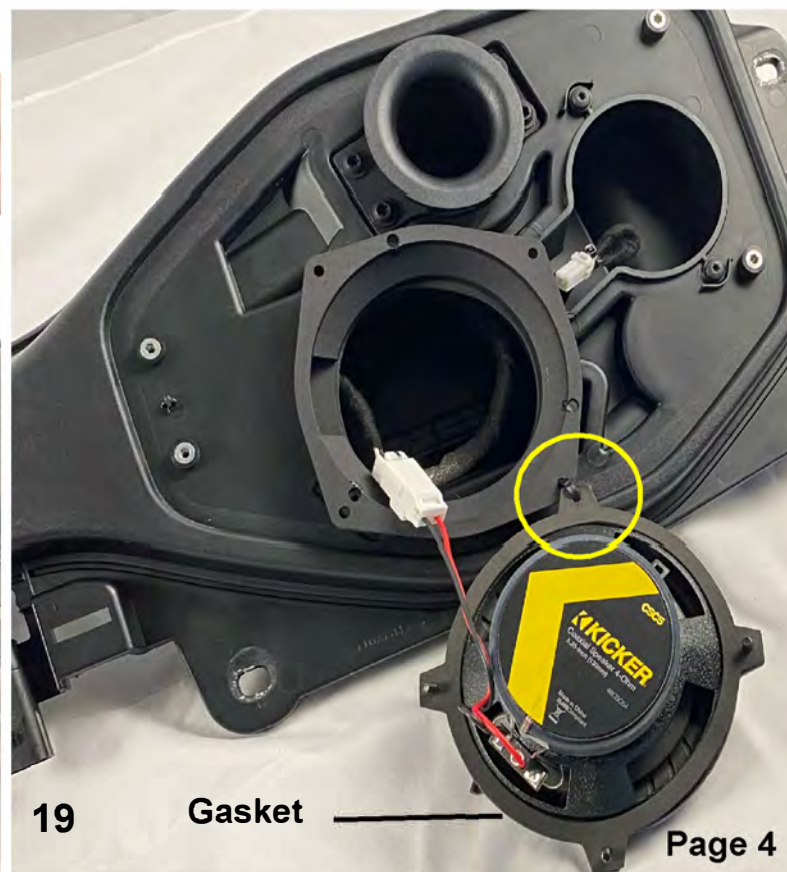
18 Gasket



17

Passenger Side

Lay the Larger 4 Tab Gasket on the rear of the New Kicker Speaker. Push 3 of the 4 #8 screws (supplied in the kit) through the Speaker/Gasket holes shown in picture #19 to secure screws in place. Loosely Secure Speaker to Sound Bar using a Tie Strap in the open hole in the position shown. Plug Speaker into Sound Bar.



19

Gasket

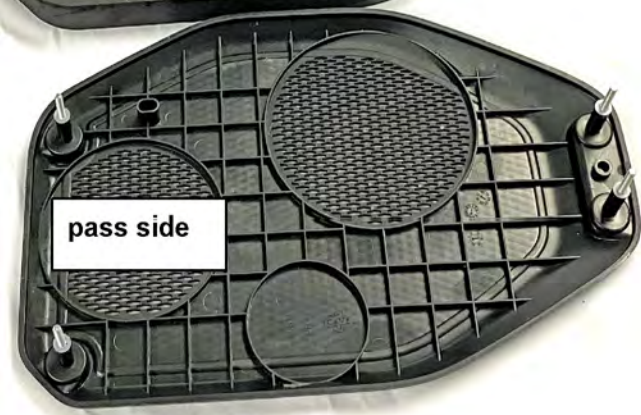
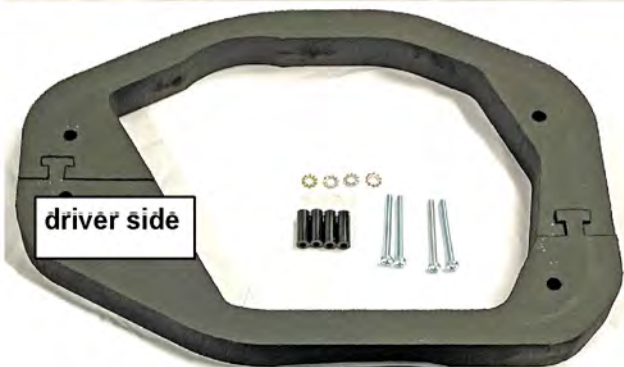
16. Fold the Kicker Speaker over to loosely install the 3 screws into the Adapter Plates using the Flange Nuts supplied in the kit. Speaker Wire Terminals should align with the Terminal Bump Out on the Speaker Adapter.

17. Cut Tie Strap off and install the 4th Screw & Flange Nut. Tighten all 4 screws evenly.

18. Repeat procedure to install Passenger Side.



Speaker Grill Installation



1. Install 4- M4 45mm long phillips head screws along with lock washer, black spacer & white retainer washer in each grill.

2. Install the 2 piece Spacer Gasket onto the screws as shown in the photo.

3. Hold Grills up to the Sound Bar and start the 2 screws closest to the center of the Sound Bar first. Only turn screws a few turns. Then install the 2 window side screws a few turns. Once all screws are installed tighten screws in rotation, each screw a little at a time until the screws start to get tight. Then Stop. The lock washers will hold the screws from coming loose.



